



UNIQUE FEATURES

SELF-PROPELLED APPLICATOR AT 4103

Our technical information

- AT 4103 three wheel chassis
- Claas Vista 2 cabin, suspended
- Scania 5 or 6 cylinder engine, Tier IV Final
- ZF ECCOM 5.0 CVT transmission
- Mechanical driven rear axle with air brakes
- Hydraulic driven front wheel with brake
- 1050/50-R32 tires standard
- One single layer cooling pack, side mounted, with reversible fan
- Systems for spreading, injecting and spraying of
 - Manure and digestate
 - Liquid and dry fertilizer
 - Lime
 - Compost
 - Vinasse

- ✓ Mechanical drive
- ✓ One chassis, 2 versions
 - 3103 mid cab
 - 4103 front cab
- ✓ All wheel drive
- ✓ Optimal operator comfort
- ✓ Optimal weight distribution
- ✓ Simple and logical operation
- ✓ Service friendly

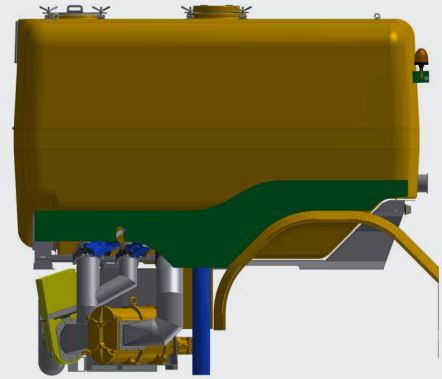
Besides application the Ploeger company is specialized in self-propelled harvesters. Want to know more about the possibilities? Please contact us for more information.

THE SELF-PROPELLED APPLICATOR IS SUITABLE FOR THE SPREADING, INJECTING AND SPRAYING OF LIQUID FERTILIZER, DRY FERTILIZER, DIGESTATE, VINASSE, MINERAL FERTILIZER AND LIME

liquid nutrient management system *LNMS*

- 16 m³ polyester tank
- 6 or 9 m³ Börger pump
- Suction arm with optional super load filling system, up to 15 m³/min
- Vogelsang Rotacut manure cutter
- Three point linkage

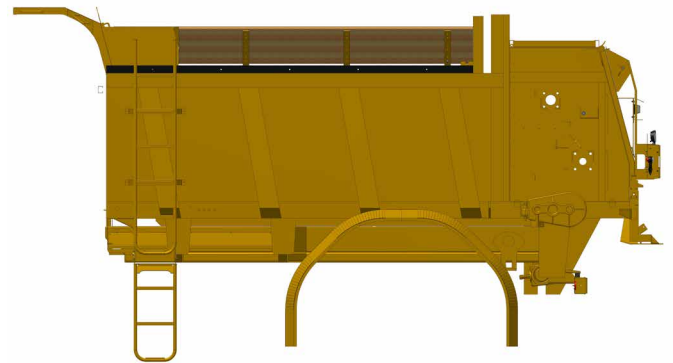
Spreading and injecting of liquid manure, digestate and liquid lime.



dry nutrient management system *DNMS*

- Tebbe wide spreader box, proven quality
- Big diameter spreading discs
- Double heavy duty beaters
- Hydraulic driven spreader mechanism, RPM controlled
- On board weighing system

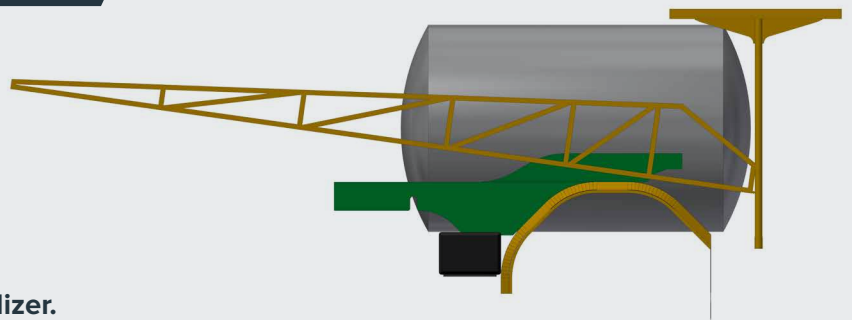
Spreading of compost, manure and lime.



liquid fertilizer nutrient management system *LFNMS*

- 12 m³ tank
- Stainless steel tank and pipes
- Börger product pump
- Boom width up to 24 meter
- Quick stop nozzles
- High field speed, 25 km+

Spraying of vinasse, liquid lime and liquid fertilizer.



dry fertilizer nutrient management system *DFNMS*

- Bredal K-type fertilizer spreader
- Two hydraulic driven spinners
- Belt conveyor
- Stainless steel box

Spreading of dry fertilizer and dry lime.

